

Astoria

professional espresso and cappuccino coffee machines

espresso and cappuccino



< model >

divina SAE/1
automatic



Astoria's divina SAE/1 is a professional one group automatic espresso/cappuccino coffee machine with a volumetric programmable brewing time.

This model can dispense 4 different coffee dosages and also comes with an independent semiautomatic override brewing switch.

Real max. production capability: 240 espresso servings per hour.



GEE

General Espresso Equipment Corporation

Manufactures a complete line of espresso, cappuccino coffee machines, grinders and accessories.

7912 Industrial Village Road - Greensboro, N.C. 27409 - Tel. (336) 393-0224 - Fax (336) 393-0295

<http://www.geec.com> e-mail: info@geec.com

Astoria

professional espresso and cappuccino coffee machines

divina SAE/1
automatic

The **divina** SAE/1 automatic model features: a built-in adjustable rotary vane pump driven by a water cooled, low-noise electric motor, automatic water filler, see-through water level glass, high output multidirectional stainless steel steam wand with antiburning sleeve, hot water valve with stainless steel screened spout, two positions switch to power the heating element, after the filling of the boiler.

The **divina** SAE/1 automatic is equipped with heat exchanger, thermocompensated group head and preinfusion technology.

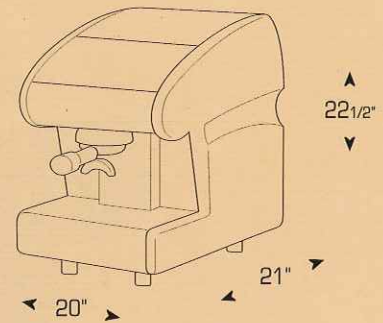
technical specifications

Width: 20"
Depth: 21"
Height: 22 1/2" (w/4" adjustable legs)
Cup height: 5 3/4" (group head to drain tray)
Top cups holding surface :17 1/2" x 11 1/4"
Net weight: 122 LBS
Shipping weight: 160 LBS
(Including water softener)

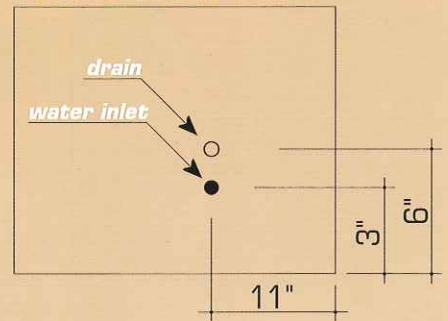
Boiler capacity: 7 quarts
Frame construction: Electroplated steel assembled without welding.
Outer body: baked enamel steel with painted ABS side panels.
Connecting hoses, rechargeable water softener and two complete portafilters supplied with machine (one double, one single spout)
Color options: Red, Sky Blue, Venetian Rose

electrical specifications

110V 19.4 Amps Single phase 60 Hz
Heating element: 2000 W
Total wattage: 2330 W
Length of electrical cord: 6 Ft. (Plug not supplied)



water connections



Astoria espresso/cappuccino machines are "UL" listed for safety.



Astoria espresso/cappuccino machines are "ETL" listed for sanitation under "NSF-4" standards.

distributed by:



**General Espresso
Equipment Corporation**

"We know the world of Espresso"

It is the policy of General Espresso Equipment Corporation to continuously improve the products that we sell. For this reason, we reserve the right to make changes in specifications, data and design without notice.